

DEXTRA – GROUPEC COUPLER

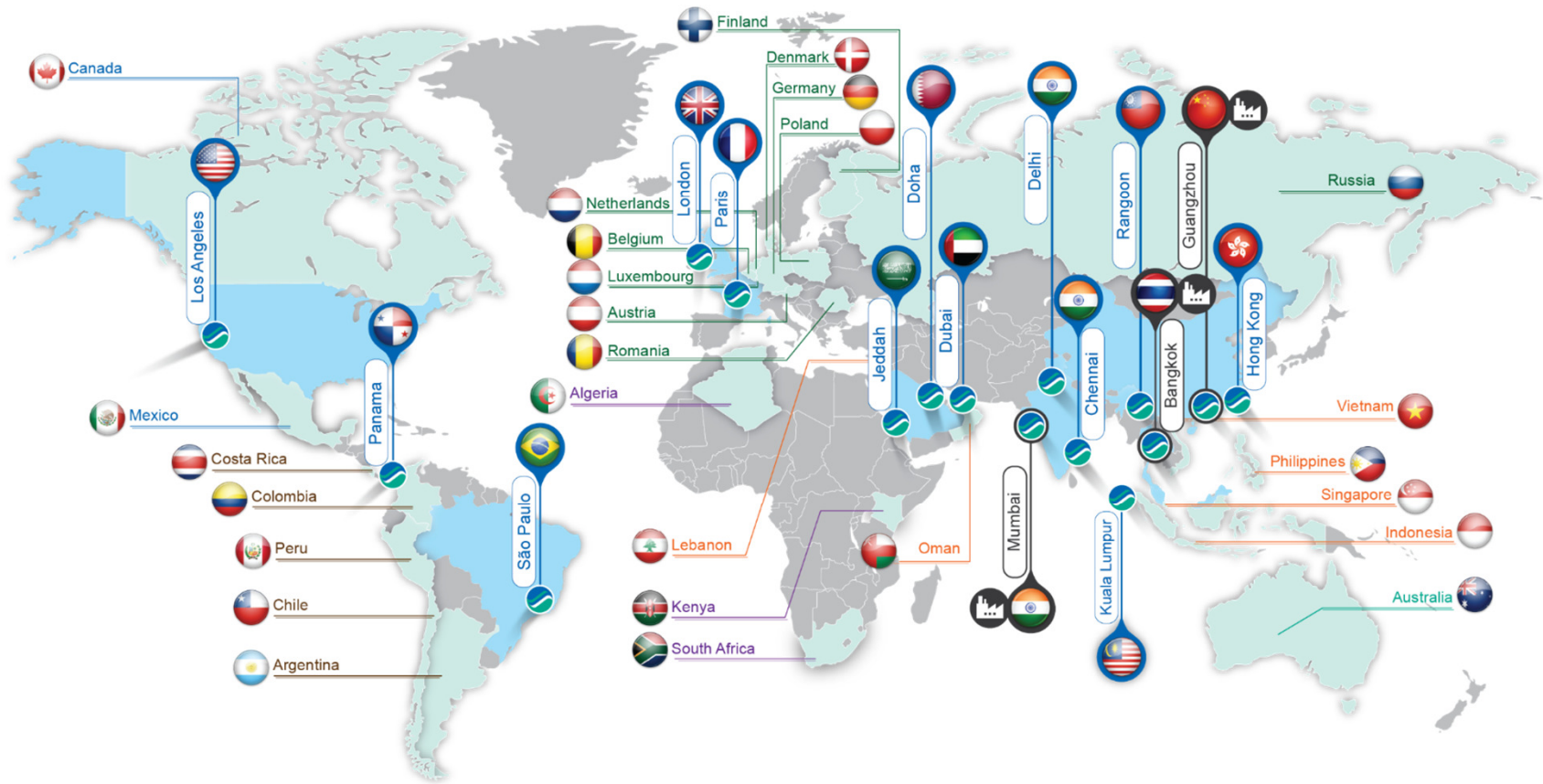


Dextra

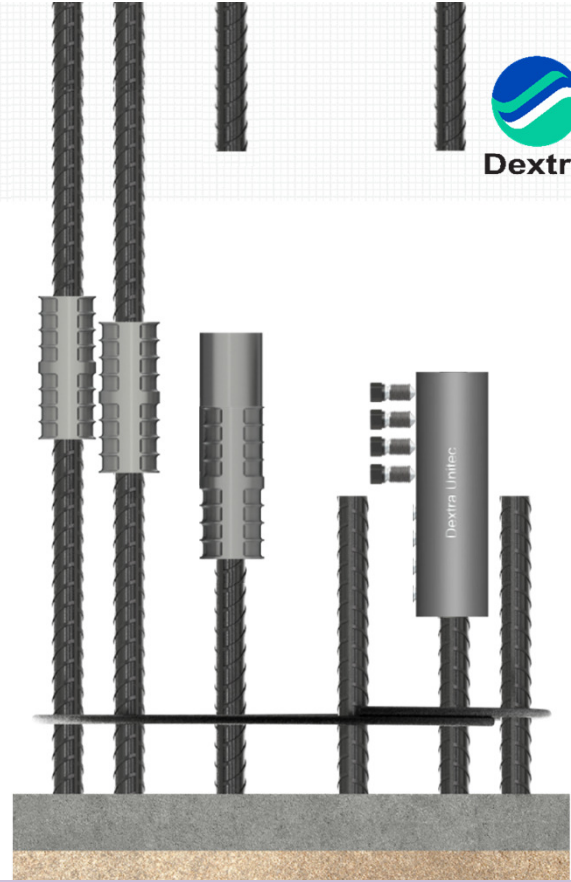
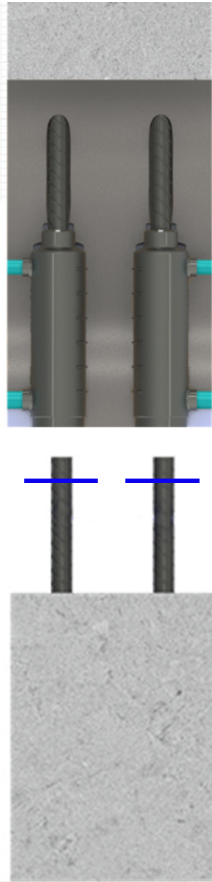
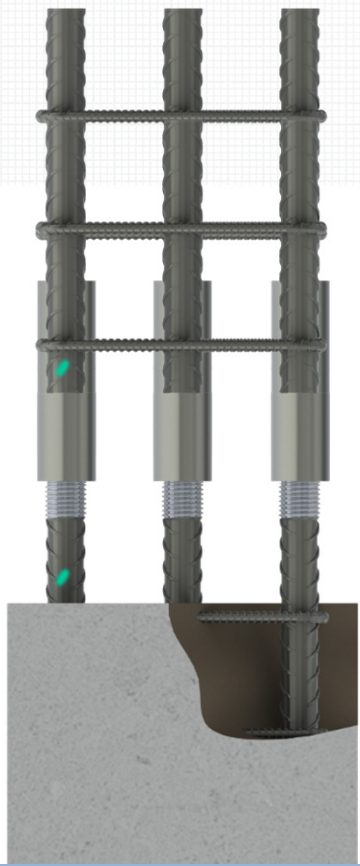
TECHNICAL SOLUTIONS FOR CONSTRUCTION, **SINCE 1983**

WWW.DEXTRAGROUP.COM





86 Distributors • 13 Offices • 3 Factories



CAST-IN-PLACE

PRECAST

REPAIR

Design Tools: Available at www.dextragroup.com

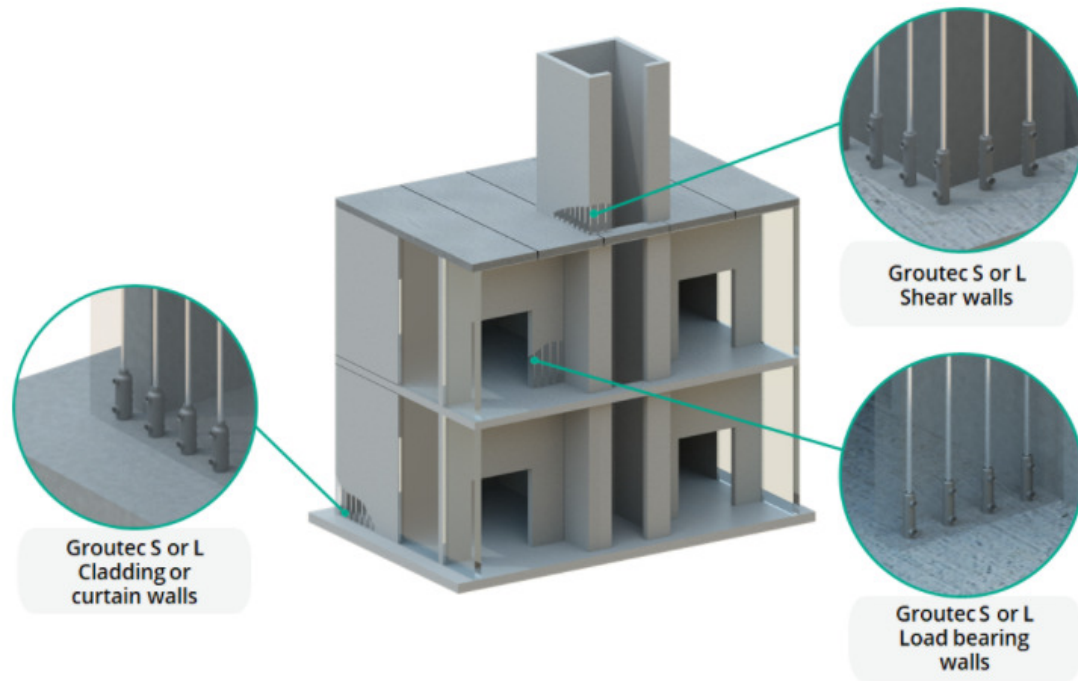


Groutec in Practice

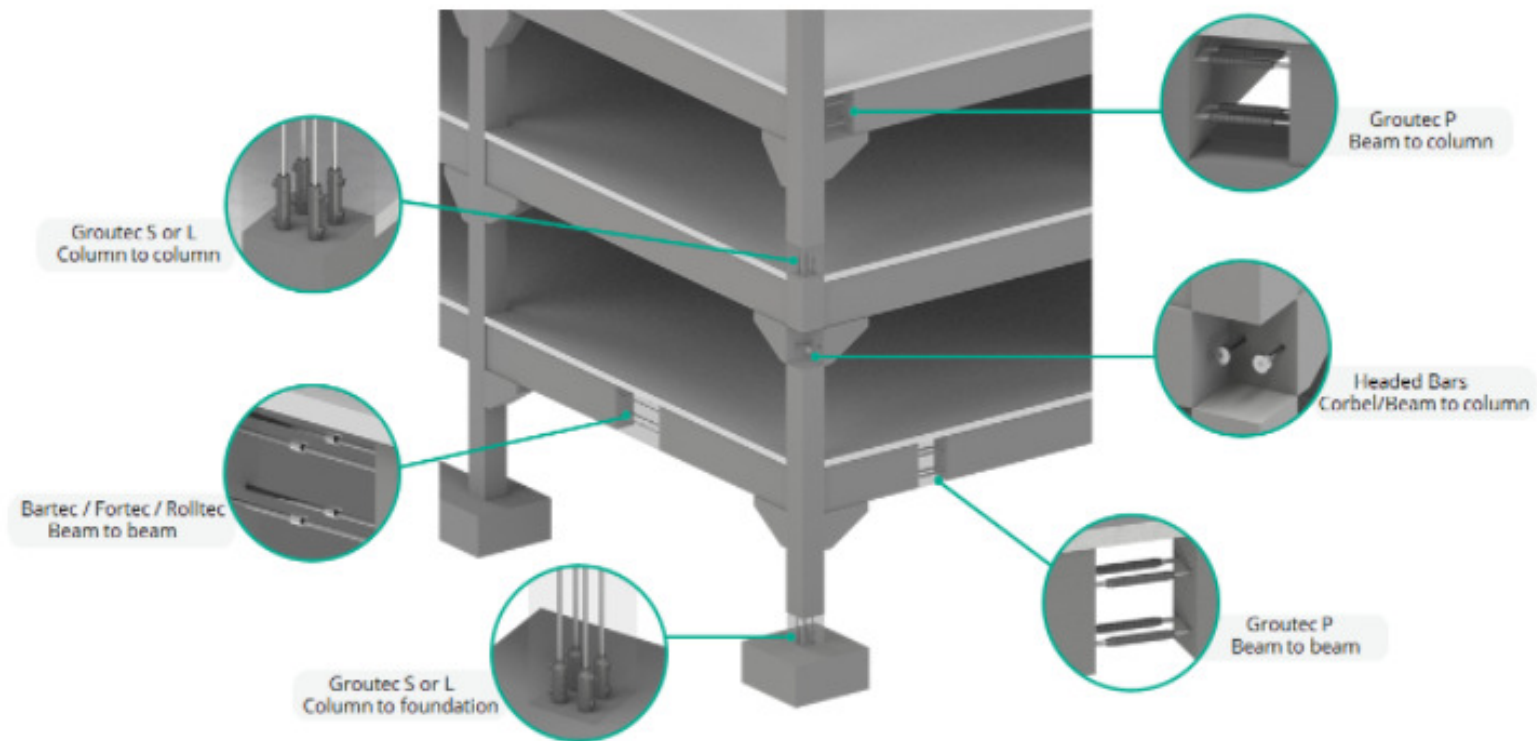


The Plum Central Station, Bangkok, Thailand - Residential Project

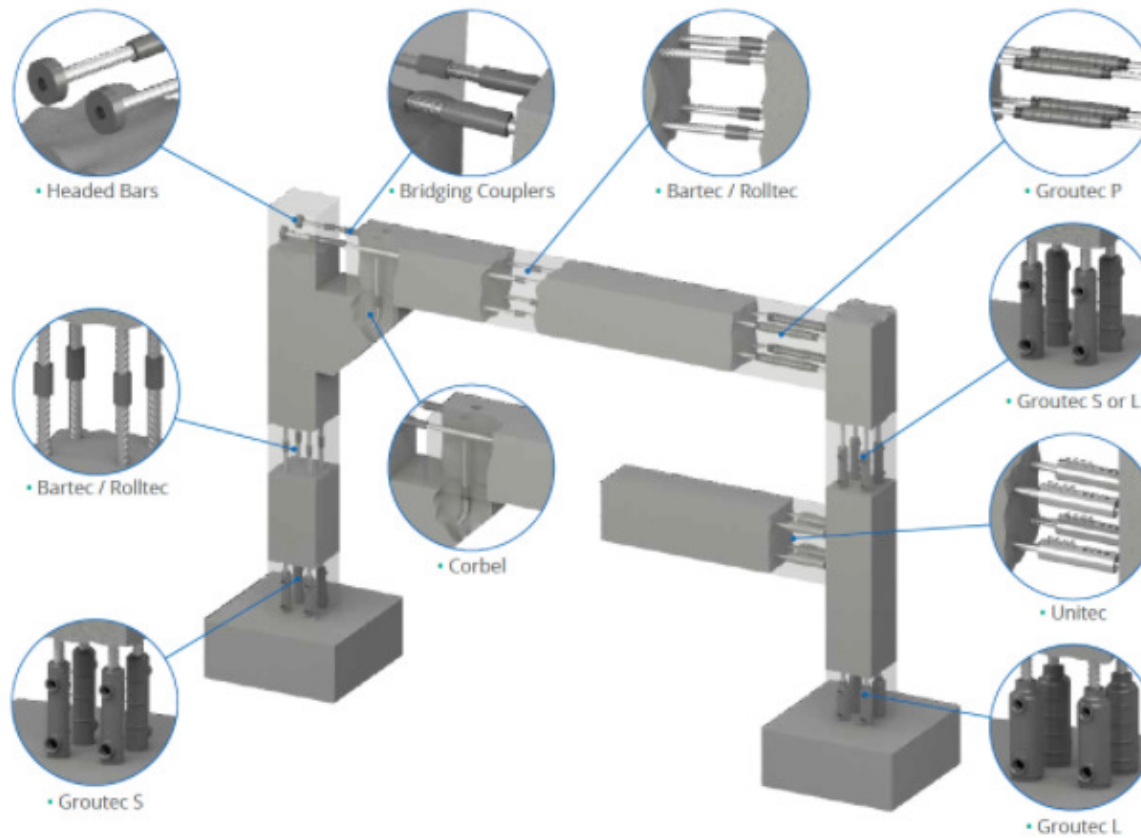
Residential Building



Precast Column/Beam Frames Structure



Industrial Application



GROUTEC



Dextra



Groutec L



Groutec S



Groutec F



Groutec P

Aurobindo – Erection

Column Size – 1.2 * 1.2
Per column 32 Bars
32,25 dia. bars.



Groutec – Testing



Groutec splices of grade 500 MPa and grade 60 ksi rebars comply with IS16172, ACI 318 type 2, IBC, ACI 439.3R-91 and AASHTO specifications.

(performance is guaranteed at 28 days, provided that our Installation Instructions have been scrupulously applied).

CODE REFERENCE - IS 16172 / IS 16700/AC 133/ ISO 15835/ ACI 4393R_07



1.2 The provisions of this standard applies to tension and tension-compression couplers such as threaded couplers, swaged coupling sleeves, grout/steel filled coupling sleeve etc, subject to satisfying the performance criteria of this standard.

5.7.2.3 No lapping of bars shall be allowed in RC columns and walls, when diameter of bars is 16 mm or higher; mechanical couplers as per IS 16172 shall be used to extend bars. If lapping of bars is required in exceptional case, relevant clauses of IS 13920 shall apply.

- Oligocyclic (Sesmic) Elastic-Plastic reverse loading. (ISO 15835/ AC 133)
- Full Scale Test.
- 100 Cycle Cyclic Tension and Compression Test.
- LCF test. 10000 Cycle Test.
- Angular Misalignment Test.
- Slip test.



ISO 9001:2015



CIDCO
WE MAKE CITIES





Critical applications and industry examples of projects



CIDCO – LIG Project



Runwal Mall Project - Mumbai



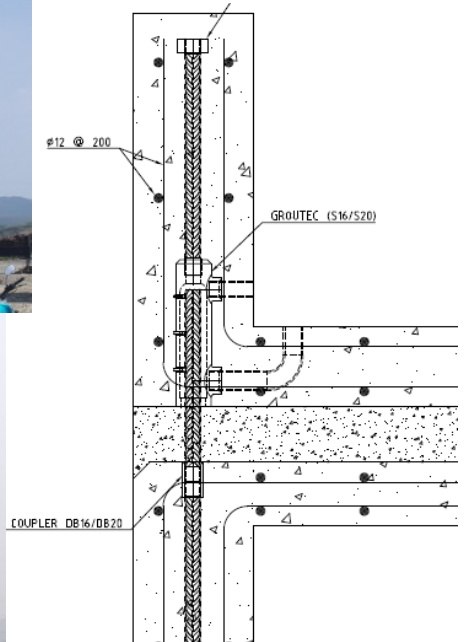
Galaxy Tower - Hyderabad



Orbit Project - Hyderabad



Suraksha Smart City



Urban Deca Homes - Philippines



Jamnagar Refinery



USD 6.8 billion
expansion project

2.2 million m³
of **concrete**

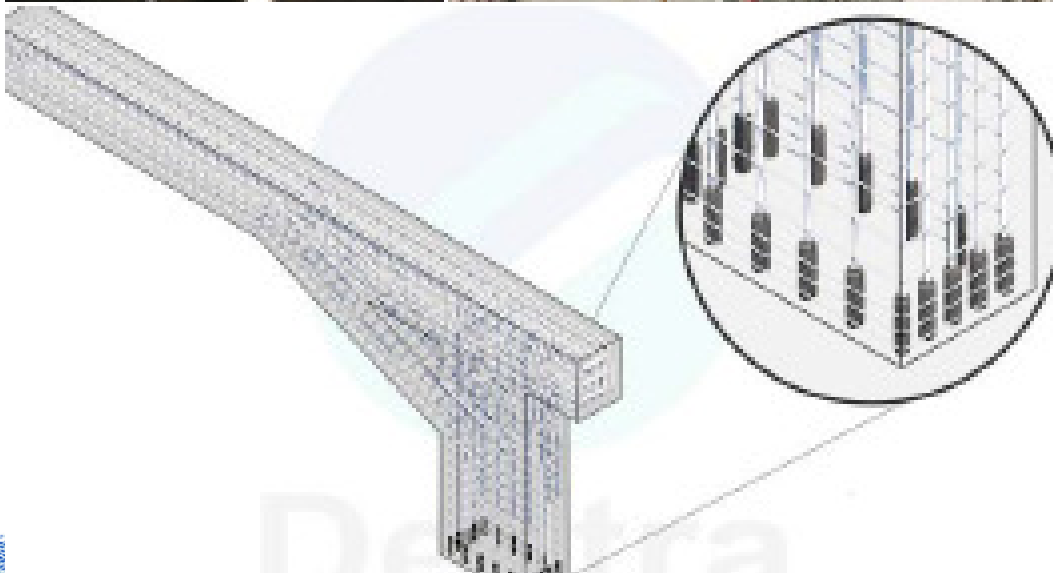
305,000 tons
of reinforcement **steel**



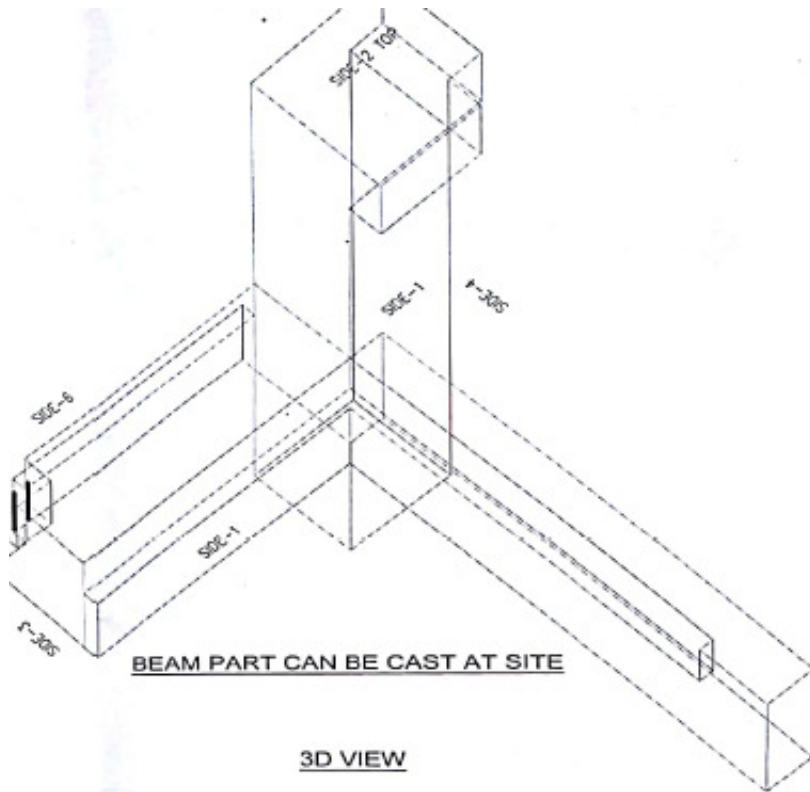
Jamnagar (largest refinery in the world) - India



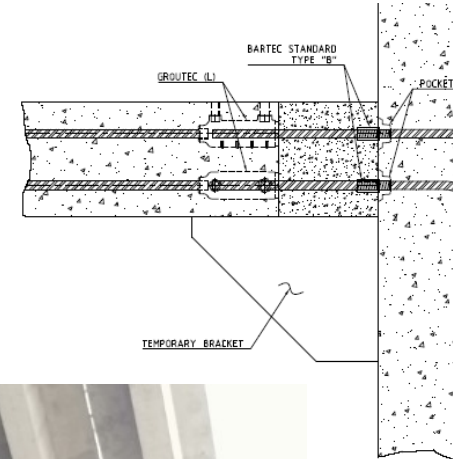
Al – haffar Police Training Facility



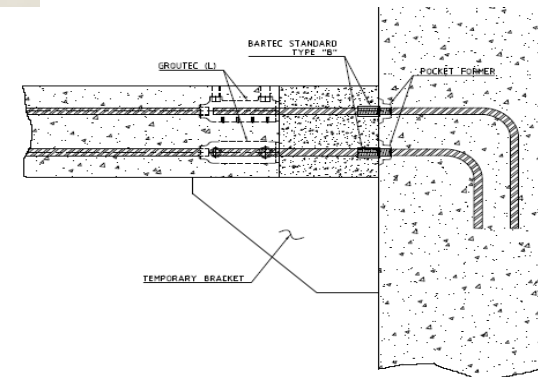
KV TEX - PONDICHERRY



Data Center Building - Airoli



Water Tank – 10, 100 KL



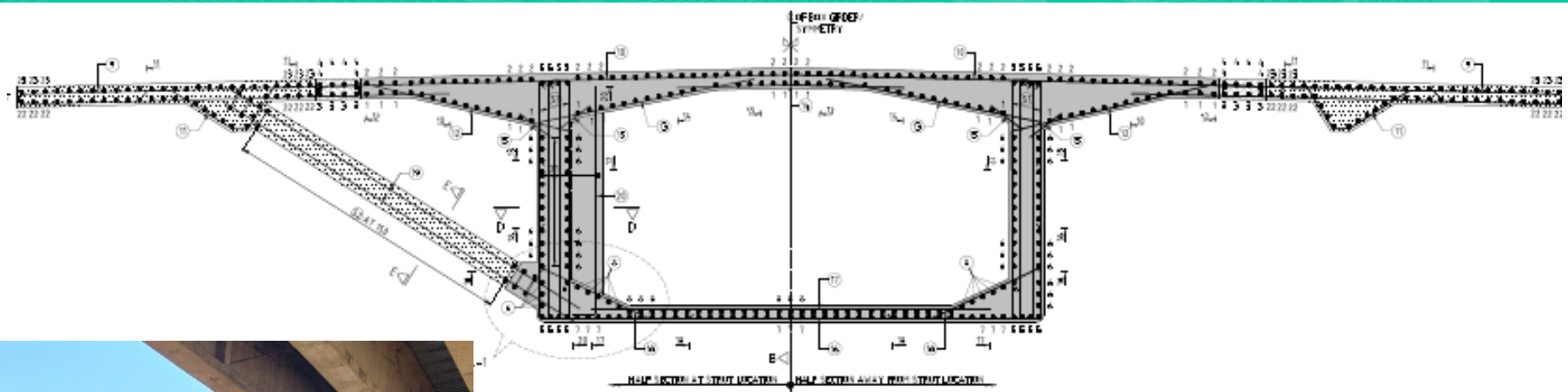
GHTC - Ranchi



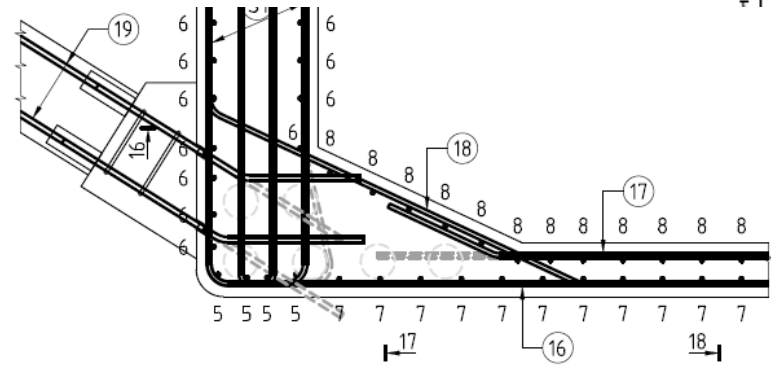
UP Tube well



Versova Creek Bridge

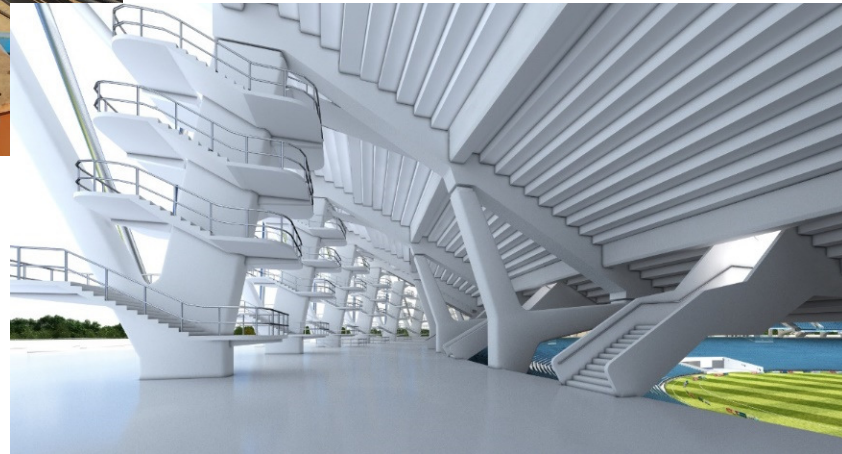
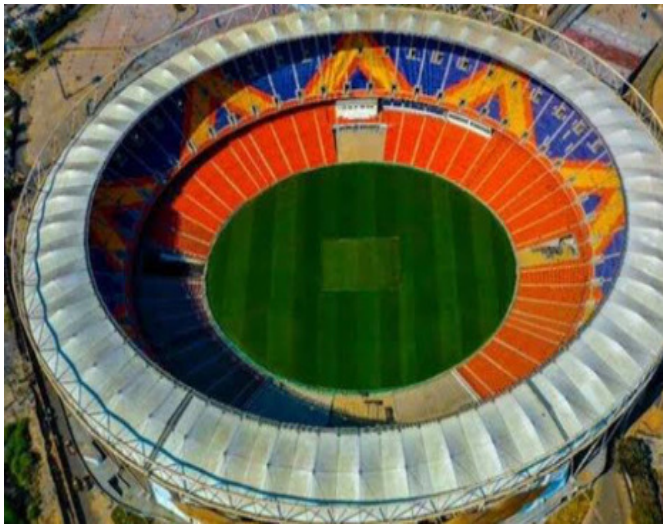


SECTION A-A



DETAIL-1
(SCALE 1:20)

Motera GCA stadium Ahmedabad



UAE – Jebel Buhaish Geological park



Dextra



<< Back Slide

Home

Next Slide >>

UAE – Jebel Buhaish Geological park



UAE – Jebel Buhais Geological park





Dextra



Dextra

Our Clients



aurobindo®



magicrete
the walling experts



PRECAST INDIA INFRASTRUCTURES
PVT. LTD.



Shapoorji Pallonji
Real Estate

inventaa



Technip



Dextra

For more information about
our range, services and designer tools:

WWW.DEXTRAGROUP.COM